
GENERAL STUDIES
Mock Test – 1
www.thorpeseeducation.com

- Q.1) In the Union Budgets of India, which one of the following is the largest in amount?
(A) Plan Expenditure (B) Non-Plan Expenditure
(C) Revenue Expenditure (D) Capital Expenditure
- Q.2) The important metal used with iron to produce stainless steel is:
(A) Carbon (B) Tin
(C) Chromium (D) Aluminium
- Q.3) What is the source of electrical energy in an artificial satellite?
(A) Solar cells (B) Mini nuclear reactor
(C) Dynamo (D) Thermopile
- Q.4) The age of the tree can be determined from the :
(A) Counting of leaves on the tree
(B) Counting the number of rings on its stem
(C) Counting the branches on the tree
(D) Measurement of its height
- Q.5) The fuel tanks of the spacecraft 'Discovery' that was launched into space on July 4, 2006 was filled with :
(A) Liquid hydrogen only
(B) Liquid oxygen only
(C) Mixture of liquid hydrogen and liquid oxygen
(D) Mixture of liquid hydrogen, liquid oxygen and liquid helium
- Q.6) Consider the following statements and give the answer with the help of codes given below :
Assertion (A) : Only one side of the moon's surface is visible from the earth.
Reason (R) : The period of rotation of the moon on its axis is equal to the period of its revolution round the earth.
- Code:
(A) Both A and R are correct and R is the correct explanation of A.
(B) Both A and R are correct but R is not the correct explanation of A.
(C) A is correct but R is wrong.
(D) A is wrong but R is correct.
- Q.7) The weight of any body is :
(A) Same at every place on earth's surface
(B) Maximum at poles
(C) More on equator
(D) More on mountains than in plains
- Q.8) On July 3, 2006, the first train was out from Lhasa Railway station. When it passed through its highest point over the Tibetan grassland, many passengers reached out for which of the following to ward off altitude sickness?
(A) Mineral water bottle (B) Pollution filter mask
(C) Oxygen mask (D) Cold drink bottle

- Q.9) The most toxic metal pollutant of automobile exhaust is :
(A) Copper (B) Lead
(C) Cadmium (D) Mercury
- Q.10) Who is known as “Father of White Revolution” in India?
(A) M.S.Swaminathan (B) V.Kurien
(C) K.N.Bahl (D) B.P.Pal
- Q.11) Blue green algae are chiefly used as biofertiliser in the crop of :
(A) Wheat (B) Gram
(C) Paddy (D) Mustard
- Q.12) The device used for converting alternating current to direct current is called :
(A) Inverter (B) Rectifier
(C) Transformer (D) Transmeter
- Q.13) An earth satellite is kept moving in its orbit. It is due to the phenomenon of centripetal force provided by :
(A) The rocket engine propelling the satellite
(B) The gravitational attraction of the Earth on the satellite
(C) The gravitational attraction of the Sun on the satellite
(D) The gravitational attraction of satellite on Earth
- Q.14) A person meets with an accident and needs blood-transfusion but there is no time to check his bloodgroup. Which of the following blood groups could be given to him?
(A) O + (B) O –
(C) AB + (D) AB –
- Q.15) Shahtoosh shawl is made from the hair of :
(A) Hangul (B) Chinkara
(C) Chiru (D) Merino
- Q.16) Which one of the following pairs is **not** correctly matched?
(A) Dry ice : solid carbon dioxide
(B) Mustard gas : poisonous liquid used in chemical warfare
(C) Teflon : polymer containing fluorine
(D) Fullerence : organic compounds containing fluorine
- Q.17) The energy of the sun is produced by :
(A) Nuclear fission (B) Ionisation
(C) Nuclear fusion (D) Oxidation
- Q.18) The tax on import and export is known as :
(A) Income Tax (B) Trade Tax
(C) Custom Duty (D) None of the above
- Q.19) On which of the following dates is your shadow at noon the smallest?
(A) December 25 (B) March 21
(C) June 22 (D) February 14
- Q.20) Centre for DNA fingerprinting is located at :
(A) New Delhi (B) Bangalore
(C) Pune (D) Hyderabad

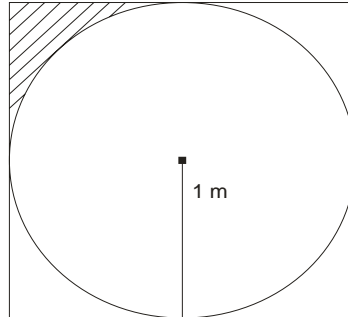
- Q.21) Ozone layer in atmosphere :
- (A) Produces rain
 - (B) Produces pollution
 - (C) Provides safety to life on earth from ultraviolet radiation
 - (D) Produces oxygen in the atmosphere
- Q.22) Cryogenic engines are used in :
- (A) Rockets
 - (B) Atomic reactors
 - (C) Defrost refrigerators
 - (D) Doing research connected with superconductivity
- Q.23) Transformer is used for :
- (A) Converting AC into DC
 - (B) Converting DC into AC
 - (C) To step up DC voltages
 - (D) To step up or step down AC voltages
- Q.24) Match columns with Lists-I & II and select the correct answer with the help of code given below:
- | List-I | List-II |
|-------------------|-------------|
| (a) High Velocity | 1. Mach |
| (b) Wavelength | 2. Angstrom |
| (c) Pressure | 3. Pascal |
| (d) Energy | 4. Jule |
- Codes :
- | | | | | |
|-----|-----|-----|-----|-----|
| | (a) | (b) | (c) | (d) |
| (A) | 2 | 1 | 3 | 4 |
| (B) | 1 | 2 | 4 | 3 |
| (C) | 1 | 2 | 3 | 4 |
| (D) | 2 | 1 | 4 | 3 |
- Q.25) The most commonly used substance in fluorescent tubes are:
- (A) Sodium oxide and argon
 - (B) Sodium vapour and neon
 - (C) Mercury vapour and argon
 - (D) Mercuric oxide and neon
- Q.26) 'Threat of global warming' is increasing due to increasing concentration of:
- (A) Ozone
 - (B) Nitrous oxide
 - (C) Sulphur dioxide
 - (D) Carbon dioxide
- Q.27) When a body is taken from the earth to the moon :
- (A) Its weight increases
 - (B) Its weight decreases
 - (C) Its weight remains unchanged
 - (D) It becomes completely weightless
- Q.28) Expansion during heating :
- (A) Occurs only in solid
 - (B) Increases the weight of the material
 - (C) Decreases the density of the material
 - (D) Occurs at the same rate for all liquids and solids
- Q.29) The Finance Commission is primarily concerned with recommending to the President about :
- (A) The principle governing grants-in-aid to be given to the States
 - (B) Distributing the net proceeds of the taxes between the Centre and the States
 - (C) Neither (A) nor (B)
 - (D) Both (A) and (B)

- Q.30) The Parliament can make law for the whole or any part of India for implementing International Treaties :
- (A) With the consent of all the States
 - (B) With the consent of majority of States
 - (C) With the consent of the State concerned
 - (D) Without the consent of any State
- Q.31) Rajya Sabha can delay the Finance Bill sent for its consideration by the Lok Sabha for a maximum period of :
- (A) One month
 - (B) One year
 - (C) Seven days
 - (D) Fourteen days
- Q.32) The First day session of Indian Constituent Assembly was chaired by :
- (A) Dr. Rajendra Prasad
 - (B) Pandit Jawahar Lal Nehru
 - (C) Dr. B.R.Ambedkar
 - (D) Dr. Sachchidanand Sinha
- Q.33) Which one of the following is **not** a department in the Ministry of Human Resource Development?
- (A) Department of Elementary Education and Literacy
 - (B) Department of Secondary Education and Higher Education
 - (C) Department of Technical Education
 - (D) Department of Woman and Child Development
- Q.34) Who is known as the first Law Officer of India?
- (A) Chief Justice of India
 - (B) Law Minister of India
 - (C) Solicitor General of India
 - (D) Law Secretary
- Q.35) The Comptroller and Auditor General is appointed by the President. He can be removed :
- (A) By the President
 - (B) On an address from both Houses of Parliament
 - (C) By the Supreme Court
 - (D) On the recommendation of the President by the Supreme Court
- Q.36) Nathu La Pass is situated in which state?
- (A) Arunachal Pradesh
 - (B) Assam
 - (C) Meghalaya
 - (D) Sikkim
- Q.37) Who will decide the Office of Profit?
- (A) President and Governor
 - (B) Union Parliament
 - (C) Supreme Court
 - (D) Union Public Service Commission
- Q.38) To be officially recognized by the Speaker of Lok Sabha as an Opposition Group, a party or Coalition of Parties must have at least :
- (A) 50 members
 - (B) 60 members
 - (C) 80 members
 - (D) 1/3 of total members of the Lok Sabha
- Q.39) Which of the following is not included in the Directive Principles of State Policy?
- (A) Prohibition of liquor
 - (B) Right to work
 - (C) Equal wage for equal work
 - (D) Right to information

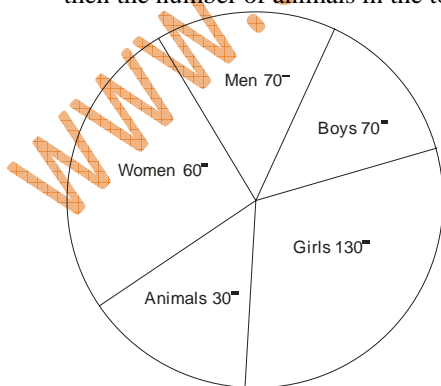
- Q.40) Right to Education to all children between the age of 6 to 14 years is :
(A) Included in the Directive Principles of State Policy
(B) A Fundamental Right
(C) A Statutory Right
(D) None of the above
- Q.41) How many times has Financial Emergency been declared in India so far?
(A) 5 times (B) 4 times
(C) Once (D) Never
- Q.42) The annual growth rate of the Indian Economy at 1999-2000 prices during 2005-2006 has been estimated between :
(A) 8 to 9 per cent (B) 7 to 8 per cent
(C) 6 to 7 per cent (D) 5 to 6 per cent
- Q.43) Which one of the following motions can the Council of Ministers in India move?
(A) No Confidence Motion
(B) Censure Motion
(C) Adjournment Motion
(D) Confidence Motion
- Q.44) Which one of the following on the Consolidated Fund of India?
(A) Salary and allowances of the President of India.
(B) Salary and allowances of the Vice President of India.
(C) Salary and allowances of the Justices of the Supreme Court of India.
(D) Salary and allowances of the Speaker of the Lok Sabha.
- Q.45) Which one of the following is the time limit for the ratification of an emergency period by the Parliament?
(A) 14 days (B) 1 month
(C) 3 months (D) 6 months
- Q.46) Given below are two statements :
Assertion (A) : Powers for conducting elections to the Parliament and State Legislatures in a free and fair manner have been given to an independent body i.e. the Election Commission.
Reason (R) : Powers of removal of Election Commissioners is with the executive.
- In the context of above, which one of the following is correct?
Codes :
(A) Both A and R are true and R is the correct explanation of A.
(B) Both A and R are true but R is not the correct explanation of A.
(C) A is true but R is false.
(D) A is false but R is true.
- Q.47) Which one of the following is not an objective of fiscal policy of Indian Government?
(A) Full employment
(B) Price stability
(C) Regulation of inter-State trade
(D) Equitable distribution of wealth and income.
- Q.48) Hindu Rate of growth refers to the rate of growth of :
(A) GDP (B) Population
(C) Foodgrains (D) Per capita income

- Q.49) As per recommendations of the Twelfth Finance Commission, percentage share of States of the shareable central taxes is?
(A) 28.5 (B) 29.5
(C) 30.5 (D) 32.4
- Q.50) In India, national income is estimated by :
(A) Planning Commission
(B) Central Statistical Organization
(C) Indian Statistical Institute
(D) National Sample Survey Organization
- Q.51) Bharat Nirman Scheme of the UPA Government does **not** include :
(A) Rural Water Supply Project
(B) Irrigation Benefit Programme
(C) Rural Electrification
(D) Sarva Shiksha Abhiyan
- Q.52) Which one of the following committee recommended the abolition of reservation of items for the small scale sector in industry?
(A) Abid Hussain Committee
(B) Narasimhan Committee
(C) Nayak Committee
(D) Rakesh Mohan Committee
- Q.53) In the last one decade which one among the following sectors has attracted the highest Foreign Direct Investment inflows into India?
(A) Chemicals other than fertilizers
(B) Services sector
(C) Food Processing
(D) Telecommunication
- Q.54) Who formulates the monetary policy in India?
(A) SEBI (B) RBI
(C) Finance Ministry (D) Planning Commission
- Q.55) The population of Uttar Pradesh has been rapidly growing during the last two decades because of :
(A) Increased literacy rate (B) Improvement in health and control of diseases
(C) Improved agriculture (D) Rapid urbanization
- Q.56) Consider the following statements and select the correct answer using the code given below :
Assertion (A) : Educated unemployment increases with high rate of economic growth.
Reason (R) : It happens only when there is lack of professional education.
Codes :
(A) Both A and R are correct and R is the correct explanation of A.
(B) Both A and R are correct but R is not the correct explanation of A.
(C) A is true but R is false.
(D) A is false but R is true.
- Q.57) Six more Public Sector Undertakings have been accorded status of miniratna by Government of India (September 2006). Choose the one which is **not** included amongst them from the following :
(A) Bharat Sanchar Nigam
(B) Indian Telephone Industries
(C) Hindustan Latex
(D) Rashtriya Ispat

- Q.58) The angles of a quadrilateral are in the ratio of 1 : 4 : 2 : 3. The angles are respectively :
 (A) 18° ; 72° ; 36° ; 54° (B) 72° ; 228° ; 144° ; 216°
 (C) 36° ; 114° ; 72° ; 108° (D) None of the above
- Q.59) A circle of 1 m radius is drawn inside a square as shown in the above figure. What is the area of the shaded portion in m^2 ?



- (A) $(4 - \pi)$ (B) $\left(1 - \frac{\pi}{2}\right)$
 (C) $\left(\frac{1}{4} - \frac{\pi}{4}\right)$ (D) $\left(1 - \frac{\pi}{4}\right)$
- Q.60) If $2x + 3y = 10$ and $y < 4$, then
 (A) $x > -1$ (B) $x < -1$
 (C) $x > 0$ (D) $x < 0$
- Q.61) Ram started his journey at 9.00 a.m. at 8 km/hour. Hamid started from the same spot in the same direction at 9.30 a.m. at 10 km/hour. Hamid overtakes Ram at :
 (A) 11.00 a.m. (B) 12.30 p.m.
 (C) 12.00 noon (D) 11.30 a.m.
- Q.62) A can do a piece of work in 12 days and B can do it in 10 days and A, B and C together in 5 days. C alone can do it in:
 (A) 17 days (B) 27 days
 (C) 60 days (D) 30 days
- Q.63) The given diagram shows the population of a town. If the total population of the town is 7,20,000 then the number of animals in the town is :



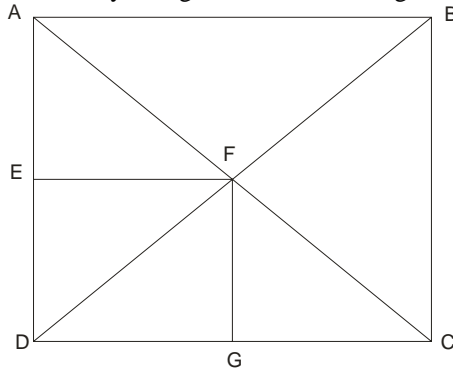
- (A) 30,000 (B) 40,000
 (C) 50,000 (D) 60,000

- Q.64) What least number must be subtracted from each of the numbers 17, 17, 34, 42 so that the ratio of first two is the same as the ratio of the next two?
(A) 0 (zero) (B) 1
(C) 2 (D) 7
- Q.65) A circular road runs around a circular garden. If the sum of the circumferences of the inner and outer circles is 88 metres and the radius of the inner circle is one-third of the outer circle, then the width of the road is :
(A) 4 metres (B) 5 metres
(C) 6 metres (D) 7 metres
- Q.66) A city has a population of 3,00,000 out of which 1,80,000 are males. 50% of the population is literate. If 70% of the males are literate, the number of literate females is :
(A) 20,000 (B) 24,000
(C) 30,000 (D) 34,000
- Q.67) The cost price of an article is Rs. 100. To gain 50% after allowing a 50% discount, the market price of the article is :
(A) Rs. 200 (B) Rs. 400
(C) Rs. 350 (D) Rs. 300
- Q.68) In three annual examinations, of which the aggregate marks of each was 500, a student secured average marks 45% and 55% in the first and the second yearly examinations respectively. To secure 60% average total marks, it is necessary for him in third yearly examination to secure marks :
(A) 300 (B) 350
(C) 400 (D) 450
- Q.69) If RUNNER is coded by SUMMER, the code for WINTER will be :
(A) XIMSER (B) VINTER
(C) SINVER (D) VIOUER
- Q.70) P is 300 kms eastward of O and Q is 400 kms north of O. R is exactly in the middle of Q and P. The distance between Q and R is :
(A) 300 kms (B) 350 kms
(C) 250 kms (D) $250\sqrt{2}$ kms
- Q.71) A man borrows Rs. 1200.00 from a bank for a period of 3 months. He finds that he has to repay Rs. 1236.00. The bank rate of interest is:
(A) 3% (B) 6%
(C) 12% (D) 24%
- Q.72) In climbing a round pole of 80 metres height, a monkey climbs 5 metres in a minute and slips 2 metres in the alternate minute. To get to the top of the pole, the monkey would take :
(A) 51 minutes (B) 54 minutes
(C) 58 minutes (D) 61 minutes
- Q.73) A man travels by a car for 3 days. He traveled 10 hours each day. He drove on the first day at 45 km/hr, second day at 40 km/hr and third day at 20 km/hr. His average speed was :
(A) 30 km/hr (B) 35 km/hr
(C) 38 km/hr (D) 40 km/hr
- Q.74) Forty three persons went to a canteen which sold cold drink 'Maaza' and 'Pepsi'. If 18 persons took Maaza only, 8 took Pepsi only and 5 took nothing, find how many took both the drinks :
(A) 35 (B) 21
(C) 12 (D) 26

- Q.75) A man works for 2 days and then rests for one day, then works for 2 days and rests for one day and so on. For everyday he works, he earns Rs. 100. How much will he earn from Monday to Saturday?
 (A) Rs. 200 (B) Rs. 300
 (C) Rs. 400 (D) Rs. 500

- Q.76) A rectangular plot of lawn of length and width respectively x and y metres is surrounded by a pathway of 2 metres width. The total area of pathway is :
 (A) $2x + 2y + 4$ (B) $2x + 2y + 8$
 (C) $4x + 4y + 8$ (D) $4x + 4y + 16$

- Q.77) How many triangles are there in the given figure?



- (A) 10 (B) 16
 (C) 12 (D) 8

- Q.78) Consider according to Buddhism :
 Assertion (A) : There is no rebirth.
 Reason (R) : There is no soul.
 Now select your answer from the following:
 (A) Both A and R are true and R is the correct explanation of A.
 (B) Both A and R are true but R is not the correct explanation of A.
 (C) A is true but R is false.
 (D) A is false but R is true.

- Q.79) Which one of the following propounded that destiny determines everything, man is powerless?
 (A) Jainas (B) Buddhists
 (C) Ajivakas (D) Mimansakas

- Q.80) Lord Buddha preached the following four noble truths. Put them in correct order using the code given below :
 (a) There is suffering.
 (b) There is cessation of suffering.
 (c) There is a path leading to the cessation of suffering.
 (d) There is cause of suffering.

Codes :

- (A) a, d, b, c
 (B) a, d, c, b
 (C) a, c, b, d
 (D) a, b, d, c

- Q.81) Sheikh Nizamuddin Auliya was the disciple of :
(A) Sheikh Alauddin Sabir
(B) Khwaja Moinuddin Chisti
(C) Baba Farid
(D) Sheikh Ahmad Sirhindi
- Q.82) Which one of the following was favoured by Nehru but not favoured by Gandhiji?
(A) Truth (B) Non-violence
(C) Untouchability (D) Heavy industrialisation
- Q.83) Assertion (A) : Nehru had no regard for the Upanishads.
Reason (R) : His attitude was scientific.
- Now select your answer from the following:
(A) Both A and R are true and R is the correct explanation of A.
(B) Both A and R are true but R is not the correct explanation of A.
(C) A is true but R is false.
(D) A is false but R is true.
- Q.84) Ashtadhyayi was written by :
(A) Vedavyas (B) Panini
(C) Shukadeva (D) Balmiki
- Q.85) Adi Shankaracharya established four mathas. These mathas are situated at :
(A) Sringeri, Dwarka, Joshimath, Prayab
(B) Dwarka, Joshimath, Prayag, Kanchi
(C) Joshimath, Dwarka, Puri, Sringeri
(D) Puri, Sringeri, Dwarka, Varanasi
- Q.86) Who was the founder of 'Servants of India Society'?
(A) Madan Mohan Malviya
(B) Sarojini Naidu
(C) Justice Ranade
(D) Gopal Krishna Gokhale
- Q.87) The third Sangam was held at :
(A) Arrikkamedu (B) Ernakulam
(C) Madurai (D) Tuticorin
- Q.88) Who among the following was the founder of the 'Satya Shodhak Samaj'?
(A) Dr. B.R. Ambedkar (B) Jyotiba Phule
(C) Narayan Guru (D) Ramaswamy Naicker
- Q.89) Cotton for textile was first cultivated in :
(A) Egypt (B) Mesopotamia
(C) Central America (D) India
- Q.90) Assertion (A) : Muhammad Tughlaq's scheme of token currency was a failure.
Reason (R) : Muhammad Tughlaq had no proper control over the issuance of coins.
Select the correct answer using the code given:
(A) Both A and R are true and R is the correct explanation of A.
(B) Both A and R are true but R is not the correct explanation of A.
(C) A is true but R is false.
(D) A is false but R is true.

- Q.91) By which name was Chanakya known in his childhood?
 (A) Ajaya (B) Chanakya
 (C) Vishnugupta (D) Deogupta
- Q.92) Rock cut architecture in Harapan culture context has been found at :
 (A) Kalibangan (B) Dhaulabira
 (C) Kotdiji (D) Amri
- Q.93) Where was the first Madarsa set up by the British in India?
 (A) Madras (B) Bombay
 (C) Aligarh (D) Calcutta
- Q.94) Who among the following Pakistani National was awarded the 'Bharat Ratna' by the Indian Government?
 (A) Liaqat Ali Khan
 (B) M.A.Jinnah
 (C) Khan Abdul Ghaffar Khan
 (D) Muhammad Iqbal
- Q.95) Match List-I with List-II and select the correct answer using the code given below :
- | List-I | | List-II | |
|----------------------|----|---------|--|
| (a) Lachchu Maharaj | 1. | Dhrupad | |
| (b) Fayyaz Khan | 2. | Ghazal | |
| (c) Sidheshwari Devi | 3. | Kathak | |
| (d) Talat Mehmood | 4. | Thumri | |
- Codes :
- | | | | |
|-------|-----|-----|-----|
| (a) | (b) | (c) | (d) |
| (A) 4 | 3 | 2 | 1 |
| (B) 3 | 1 | 4 | 2 |
| (C) 1 | 2 | 3 | 4 |
| (D) 2 | 3 | 1 | 4 |
- Q.96) Consider the following statements and select the correct answer from the code given below :
- India's population is characterized by a high growth rate.
 - With the current growth rate it is likely to overtake China in the near future.
 - Out of every six persons of the World one is an Indian.
 - About 40% of the India's population is below the poverty line level.
- Codes :
- (A) 1, 2 and 3 are correct (B) 2, 3 and 4 are correct
 (C) 1, 3 and 4 are correct (D) 1, 2 and 4 are correct
- Q.97) In the Uttar Pradesh and Madhya Pradesh States, the joint 'Rajghat River Valley Project' is launched on :
 (A) Ken river (B) Son river
 (C) Chambal river (D) Betwa river
- Q.98) Which state in the country has the largest number of districts?
 (A) Madhya Pradesh (B) Maharashtra
 (C) Tamil Nadu (D) Uttar Pradesh
- Q.99) Environment refers :
 (A) As the natural world of land, water, air, plants and animals that exist around it.
 (B) To the sum total of conditions which surround man at a given point of time.
 (C) The interacting systems of physical, biological and cultural elements which are interlinked.
 (D) All the above.

- Q.100) The cells which have the capacity to divide and differentiate into any type of cells in the body are the focus of research of several serious diseases are :
- (A) Bud cells (B) Red cells
(C) Mesangial cells (D) Stem cells
- Q.101) Environmental degradation means :
- (A) Overall lowering of environmental qualities
(B) Adverse changes brought in by human activities
(C) Ecological imbalance because of ecological diversity
(D) All the above
- Q.102) Which one of the following is known as 'Satellite Town'?
- (A) Moradabad (B) Hyderabad
(C) Ghaziabad (D) Ahmedabad
- Q.103) Which of the following rivers have almost the same point of beginning?
- (A) Brahmaputra and Ganga
(B) Tapi and Beas
(C) Brahmaputra and Indus
(D) Indus and Ganga
- Q.104) The local time of a place is 6.00 a.m. when the Greenwich Mean Time (GMT) is 3.00 a.m. What is the longitude of the place?
- (A) 45° W (B) 45° E
(C) 120° E (D) 120° W
- Q.105) In which State of India is the maximum area irrigated by Tube-wells?
- (A) Madhya Pradesh (B) Bihar
(C) Rajasthan (D) Uttar Pradesh
- Q.106) Which one of the following pairs is correctly matched?
- (A) Haldia : Orissa
(B) Jamnagar : Maharashtra
(C) Numaligarh : Gujarat
(D) Panangudi : Tamil Nadu
- Q.107) Which one of the following Indian rivers forms as estuary?
- (A) Godavari (B) Kaveri
(C) Tapi (D) Mahanadi
- Q.108) Which one of the following areas of India does not come under the zone of high seismic intensity?
- (A) Uttaranchal (B) Karanatak Plateau
(C) Kachch (D) Himachal Pradesh
- Q.109) Which of the following Indian island lies between India and Sir Lanka?
- (A) Elephanta (B) Nicobar
(C) Rameshwaram (D) Salsette
- Q.110) In which state do the Monsoons arrive first?
- (A) Assam (B) West Bengal
(C) Maharashtra (D) Kerala
- Q.111) Who among the following is constitutionally empowered to declare a geographic area as a scheduled area?
- (A) Governor (B) Chief Minister
(C) Prime Minister (D) President

- Q.112) The World's highest ground based telescopic observatory is located in :
 (A) Colombia (B) India
 (C) Nepal (D) Switzerland
- Q.113) In U.P., the district with the highest literacy percentage is :
 (A) Auraiya (B) Ghaziabad
 (C) Etawah (D) Allahabad
- Q.114) A memorandum of understanding for India's first river linking project has been signed between two states linking two rivers. The states and the rivers concerned are :

List-I	List-II
(A) Punjab and Rajasthan	: Beas and Banas
(B) Uttar Pradesh and Madhya Pradesh	: Ken and Betwa
(C) Karnataka and Tamil Nadu	: Krishna and Kaveri
(D) Uttar Pradesh and Bihar	: Gomti and Sharda
- Q.115) Consider the following statements about Uttar Pradesh :
 1. Geographical area of UP is about 2,41,000 sq kms.
 2. Sex ratio in UP as per 2001 census was 933 females per 1000 males.
 3. UP has 17 Revenue Divisions.
 4. Literacy percentage in UP as per 2001 census was 60.1.
 Select the correct answer from the code given below :
 Codes :
 (A) 1 and 2 only (B) 1 and 3 only
 (C) 3 and 4 only (D) 2 and 3 only
- Q.116) Consider the following statements about Uttar Pradesh :
 1. Literacy percentage as per 2001 census is 56.3.
 2. The density of population is 690 per square km.
 3. The most populous district is Kanpur Nagar.
 4. The largest population of scheduled castes is in district Sitapur.
 Select the correct answer from the code given below :
 Codes :
 (A) 1 and 2 only (B) 2, 3 and 4 only
 (C) 1, 2 and 4 only (D) All the four
- Q.117) Consider the following statements :
 1. According to a survey conducted by Uttar Pradesh Department recently, Lucknow has been found to be most developed.
 2. As per recent study conducted in 20 states by the 'Centre for Media Studies', corruption in 2005 in India is less than what it was in 2002.
 3. As per target set for Bharat Nirman Yojna, houses to be constructed for the rural poor would not even meet 50% of the shortage of rural houses.
 Select the correct answer from the code given below :
 Codes :
 (A) 1 and 2 only (B) 2 and 3 only
 (C) 1 and 3 only (D) All the three
- Q.118) Special Economic Zones are being set up in UP at :
 (A) Agra, Kanpur and Noida
 (B) Agra, Kanpur and Greater Noida
 (C) Meerut, Moradabad, Kanpur and Noida
 (D) Moradabad, Kanpur, Noida and Greater Noida

- Q.119) Ancient site where the full text of the Mahabarat was delivered orally to a congregation of 60,000 sages is :
 (A) Ahichatra (B) Hastinapur
 (C) Kampilya (D) Naimisharanya
- Q.120) The quaintest relic of Chunar Fort is the shrine of :
 (A) Adi Shankaracharya (B) Bhartruhari (C) Chaitanya (D) Ramananda
- Q.121) Which one of the sequences is correct in the context of three largest wheat producing states?
 (A) Punjab, Uttar Pradesh and Haryana
 (B) Uttar Pradesh, Haryana and Punjab
 (C) Uttar Pradesh, Punjab and Haryana
 (D) Punjab, Haryana and Uttar Pradesh
- Q.122) Consider the following statements about U.P. :
 1. Government is striving hard to achieve goal of mass education.
 2. It has decided to extend the scheme of Shiksha Mitra to urban areas.
 3. The Shiksha Mitra in urban areas will receive a monthly honorarium of Rs. 2,400.
 4. They will be recruited from persons receiving unemployment allowance.
 Of these statements :
 (A) 1, 2, 3 and 4 are correct
 (B) 1, 3 and 4 are correct
 (C) 1, 2 and 4 are correct
 (D) 1, 2 and 3 are correct
- Q.123) Invisible export means export of :
 (A) Services (B) Prohibited goods
 (C) Unrecorded goods (D) Goods through smuggling
- Q.124) The gas which emits from rice field is :
 (A) Ethane (B) Methane (C) Nitrogen (D) All of the above
- Q.125) Match List-I with List-II and select the correct answer using the code given below :

List-I	List-II
(a) Birha	1. Bhojpuri
(b) Kajri	2. Avadhi
(c) Malhor	3. Braji
(d) Rasia	4. Kauravi

 Codes :

(a)	(b)	(c)	(d)
(A) 2	1	4	3
(B) 1	2	3	4
(C) 4	2	3	1
(D) 3	1	2	4
- Q.126) Which one of the following pairs is **not** correctly matched?
 (A) Diesel Locomotive Works : Varanasi
 (B) Indian Telephone : Rae Bareilly Industries
 (C) Bharat : Noida Electronic Ltd.
 (D) Oil Refinery : Mathura
- Q.127) Foreign Corporations are governed by :
 (A) Special Act of Parliament
 (B) Ministry of Foreign Affairs, Government of India
 (C) Indian Companies Act, 1956
 (D) None of the above

- Q.128) As per recent nuclear agreement signed by George W. Bush, President of USA and Dr. Man Mohan Sing, Prime Minister of India, the number of nuclear reactors which India has agreed to open up for inspection by International Atomic Energy Agency is :
- (A) 10 (B) 12
(C) 14 (D) 16
- Q.129) The bacteria responsible for fixing nitrogen in Soyabean is :
- (A) Rhizobium leguminosarum
(B) Rhizobium japonicum
(C) Rhizobium phaseoli
(D) Rhizobium trifolii
- Q.130) Crop logging is a method of :
- (A) Soil fertility evaluation
(B) Plant analysis for assessing the requirement of nutrients for crop production
(C) Assessing crop damage
(D) Testing suitability of fertilizers
- Q.131) India's rank in vegetable production is :
- (A) First (B) Second
(C) Fourth (D) Fifth
- Q.132) U.P. has been divided into :
- (A) 11 agro-climatic zones (B) 9 agro-climatic zones
(C) 7 agro-climatic zones (D) None of the above
- Q.133) Consider the following statements :
1. Prime Minister Dr. Man Mohan Singh launched the Jawahar Lal Nehru Urban Renewal Mission in December 2005.
 2. The Mission will have an initial corpus of Rs. One lakh crore.
 3. Initially only 28 State capitals will benefit from the Mission.
 4. The Mission aims to provide food for work to the urban poor.
- Which of the above statement(S) is/are correct?
- (A) 1 and 3 only (B) 1 and 2 only
(C) 1, 2 and 3 only (D) All the four
- Q.134) Government of India has taken a decision to set up a price stabilization fund for the growers of :
- (A) Potato and onion (B) Sugarcane growers
(C) Coffee and tea (D) Tomato
- Q.135) A labour intensive industry is one that :
- (A) Requires hard manual labour
(B) Pays adequate wages to the labour
(C) Employs more hands
(D) Provides facilities to labour
- Q.136) If a complete ship is hired, the Shipping Company issues :
- (A) Shipping Order (B) Charter Party
(C) Bill of Entry (D) Railway Receipt
- Q.137) Ripening hormone is :
- (A) Gibberellin (B) Morphactin (C) Ethylene (D) I.B.A.
- Q.138) We obtain turmeric from which part of the plant?
- (A) Stem (B) Root (C) Fruit (D) Flower

- Q.139) Who among the following has been given 'World Citizenship Award' 2006?
(A) Kofi Annan (B) Jimmy Carter
(C) Bill Clinton (D) Ronald Reagan
- Q.140) Who has been recently given 'Indira Gandhi Award for National Integration' 2005?
(A) Bismillah Khan (B) Jyoti Basu (C) Javed Akhtar (D) Mahesh Bhatt
- Q.141) 'Tshwane Declaration' was signed by representative of :
(A) India and South Africa (B) India and Brazil
(C) India, Brazil and South Africa (D) India and Myanmar
- Q.142) Who of the following have received the Nobel Prize 2006 in Medicine?
(A) John C. Mather and George F. Smoot (B) Craig C. Mello and Andrew Z. Fire
(C) Steven Boone and Curtis Cooper (D) Roger Kornberg
- Q.143) Select the one which is **not** the responsibility of Gram Sabha under the 'Rural Employment Guarantee Act, 2005' :
(A) To recommend projects to the Gram Panchayat and prepare list of possible works
(B) To receive applications for work and issue a dated receipt
(C) To monitor the execution of works within the Gram Panchayat
(D) To conduct regular social audits of all the projects taken up within the Gram Panchayat
- Q.144) Consider the following statements about the 'Right to Information Act, 2005' and select one which is **not** provided for or specially exempted :
(A) It is not applicable in the state of Jammu and Kashmir
(B) An applicant making request for information will have to give reasons for seeking information
(C) Removal of Chief Information Commissioner
(D) Every Information Commissioner shall hold office for a term of 5 years or till the age of 65 years whichever is earlier
- Q.145) Consider the following statements :
1. The First ever East Asia Summit was held in Singapore in December 2005.
2. The Summit was attended by 16 countries from the East Asian region including India.
Which of the above statement(s) is/are correct?
(A) 1 only (B) 2 only
(C) Both 1 and 2 (D) Neither 1 nor 2
- Q.146) Consider the following statements :
1. The International Badminton Federation is located in Kuala Lumpur.
2. The Federation has decided in favour of India as the host for 2009 World Badminton Championship.
Which of the above statement(s) is/are correct?
(A) 1 only (B) 2 only
(C) Both 1 and 2 (D) Neither 1 nor 2
- Q.147) Consider the following statements about one of India's leading batsman :
1. He has scored now more than 8000 runs in Test Matches.
2. He has made four successive centuries.
3. He has made five Test double hundreds.
4. He is credited with most catches by an Indian player.
Which is he?
(A) Sunil Gavaskar (B) Sachin Tendulkar
(C) Rahul Dravid (D) Saurav Ganguly

Q.148) Consider the following statements :

1. The 93rd Indian Science Congress was held at Hyderabad (A.P.) in January 2006.
2. Dr. M.S.Swaminathan was the recipient of the India Science Award 2004 at the Congress.

Which of the above statement(s) is/are correct?

- (A) 1 only (B) 2 only
(C) Both 1 and 2 (D) Neither 1 nor 2

Q.149) Which South American Country has elected a Leftist Leader as its President for the first time in the 180 year old history of South America?

- (A) Venezuela (B) Argentina
(C) Uruguay (D) Bolivia

Q.150) President A.P.J. Abdul Kalam visited some countries; one of them happens to be country visited by any President of India for the first time. Which one of these is that country?

- (A) Mauritius (B) South Africa
(C) Myanmar (D) None of these

ANSWERS

1.	(C)	26.	(D)	51.	(D)	76.	(D)	101.	(D)	126.	(C)
2.	(C)	27.	(B)	52.	(A)	77.	(C)	102.	(C)	127.	(C)
3.	(A)	28.	(C)	53.	(D)	78.	(D)	103.	(C)	128.	(A)
4.	(B)	29.	(D)	54.	(B)	79.	(C)	104.	(B)	129.	(B)
5.	(C)	30.	(D)	55.	(D)	80.	(A)	105.	(D)	130.	(B)
6.	(A)	31.	(D)	56.	(A)	81.	(C)	106.	(D)	131.	(B)
7.	(C)	32.	(D)	57.	(B)	82.	(D)	107.	(C)	132.	(B)
8.	(C)	33.	(C)	58.	(C)	83.	(D)	108.	(B)	133.	(B)
9.	(B)	34.	(C)	59.	(D)	84.	(B)	109.	(C)	134.	(C)
10.	(B)	35.	(A)	60.	(C)	85.	(C)	110.	(D)	135.	(C)
11.	(C)	36.	(D)	61.	(D)	86.	(D)	111.	(D)	136.	(B)
12.	(C)	37.	(B)	62.	(C)	87.	(C)	112.	(B)	137.	(C)
13.	(B)	38.	(A)	63.	(D)	88.	(B)	113.	(A)	138.	(A)
14.	(B)	39.	(D)	64.	(C)	89.	(D)	114.	(B)	139.	(C)
15.	(C)	40.	(B)	65.	(D)	90.	(A)	115.	(B)	140.	(C)
16.	(D)	41.	(D)	66.	(B)	91.	(C)	116.	(D)	141.	(A)
17.	(C)	42.	(A)	67.	(D)	92.	(B)	117.	(A)	142.	(B)
18.	(C)	43.	(D)	68.	(C)	93.	(D)	118.	(B)	143.	(B)
19.	(C)	44.	(B)	69.	(A)	94.	(C)	119.	(D)	144.	(B)
20.	(D)	45.	(B)	70.	(C)	95.	(B)	120.	(B)	145.	(B)
21.	(C)	46.	(B)	71.	(C)	96.	(A)	121.	(C)	146.	(B)
22.	(A)	47.	(C)	72.	(A)	97.	(D)	122.	(D)	147.	(C)
23.	(D)	48.	(A)	73.	(B)	98.	(D)	123.	(A)	148.	(A)
24.	(C)	49.	(C)	74.	(C)	99.	(D)	124.	(B)	149.	(D)
25.	(C)	50.	(B)	75.	(C)	100.	(D)	125.	(B)	150.	(C)